

KS 301-C Trinocular Upright Multifunction Metallurgical Microscope

(Picture just for reference)

19 YEARS

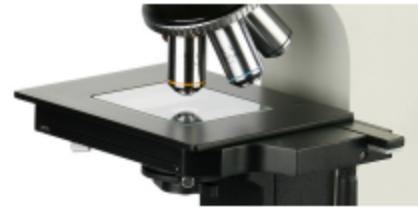
Development Base of Advanced Testing Machine Of China

1. Application

KS 301-C trinocular transreflective upright metallographic microscope is suitable for microscopic observation of opaque or transparent objects. Adopting the excellent design concept of infinity optical system and module function, it can provide excellent optical performance and product system upgrade, realize the functions of simultaneous transmission and reflection, independent illumination, polarized observation and other functions. The product has the characteristics of beautiful appearance, convenient operation, clear image, etc. It is an ideal instrument for research in biology, metallurgy, mineralogy, precision engineering, electronics, etc.

Mechanical stage

Double-layer mechanical stage, size: 210 * 140mm; moving range 63 * 50mm, visual design concept, the user is more convenient and comfortable when operating the stage.



Epi-illumination system

The use of halogen lamps (adjustable brightness) not only provides a clear and clear microscopic observation image for the normal bright field observation method, but also for polarized light and dark field observation methods. Built-in field diaphragm and aperture diaphragm can effectively control the field of view, adjust the contrast of the field of view, and the center of the field diaphragm can be adjusted.



Transmission illumination system

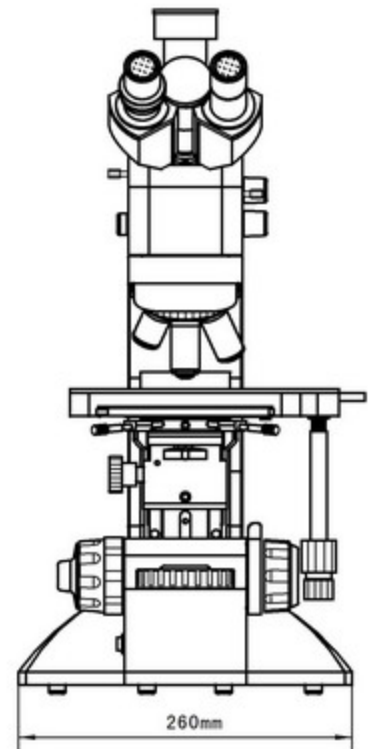
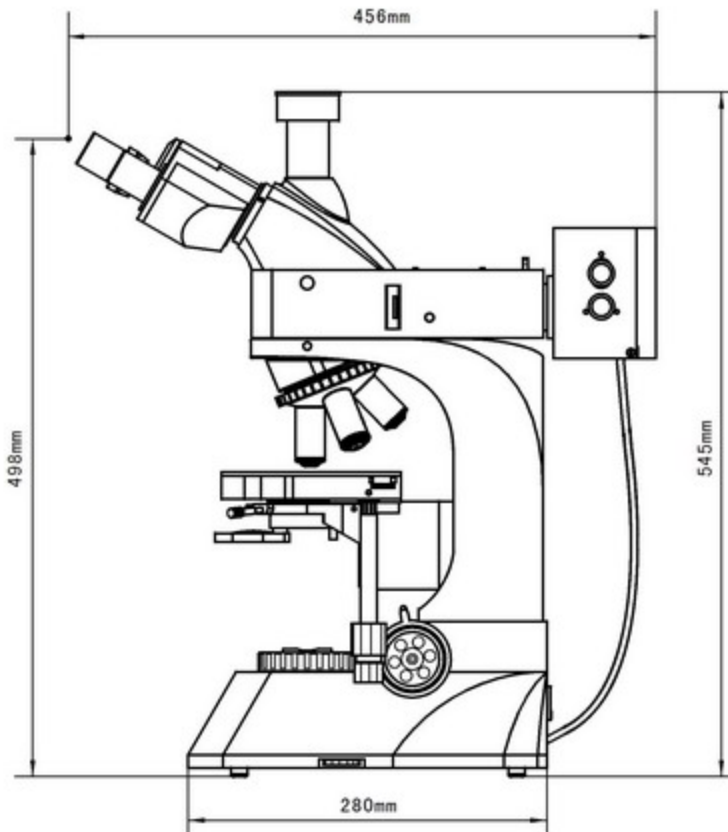
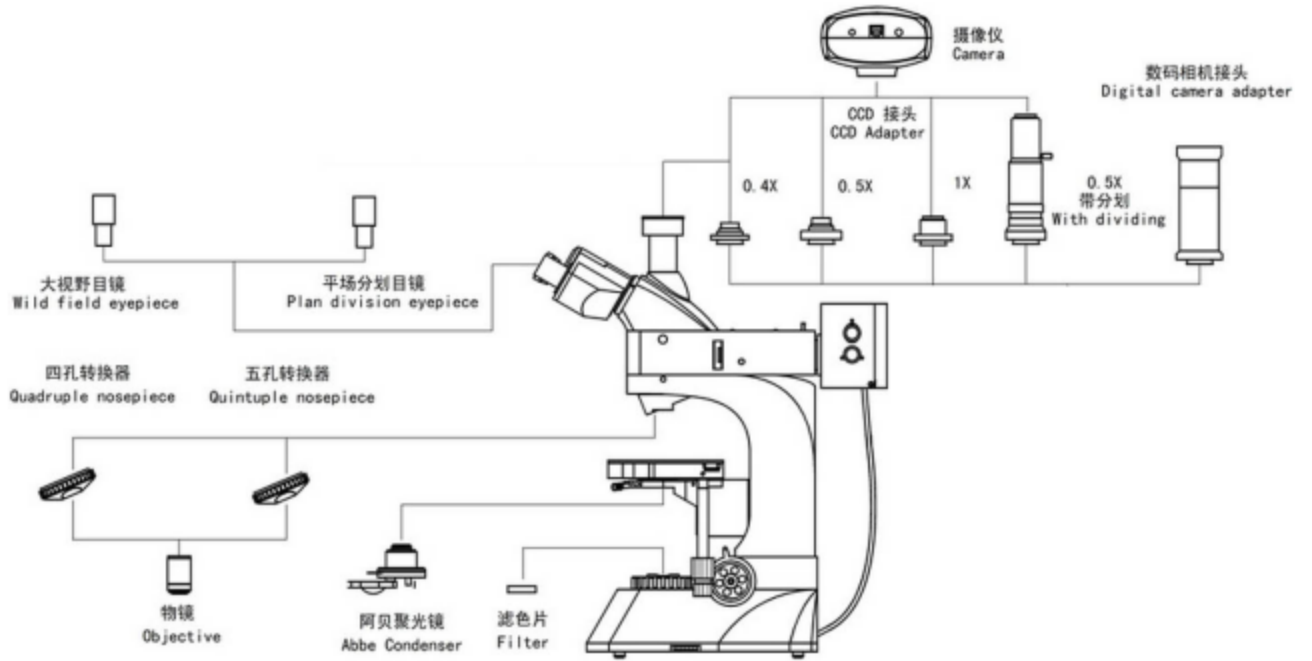
Built-in halogen lamp lighting device: 6V30W halogen lamp (adjustable brightness) can provide clear and clear microscopic observation images. The field diaphragm is built into the concentrator, and the Abbe condenser N.A.1.25 is adjustable up and down.



2. Specifications

| Model | KS 301-C | |
|--|--|---|
| Optical system | Infinite chromatic aberration correction optical system | ● |
| Observation tube | Trinocular, tilted 30°, (built-in polarizer, switchable) | ● |
| Eyepieces | Wide field WF10X / 22mm | ● |
| | Large field of view WF10X / 22mm, with cross differentiation rule | ○ |
| Standard objective lens (Infinity plan achromatic objectives) | PL L5X / 0.12 WD26.1 mm | ● |
| | PL L10X / 0.25 WD20.2mm | ● |
| | PL L40X / 0.60 WD3.98 mm (spring) | ● |
| | PL L 60X / 0.7 WD3.18 mm | ● |
| Optional objective lens (Infinity plan achromatic objectives) | PL L20X / 0.40 WD8.80 mm | ○ |
| | PL L50X / 0.70 WD3.68 mm | ○ |
| | PL L 80X / 0.80 WD1.25 mm | ○ |
| | PL L100X / 0.85 WD0.40 mm | ○ |
| Converter | Five holes (inward ball positioning) | ● |
| Focusing mechanism | Coarse and fine focus coaxial adjustment, fine motion grid value: 2μm, coarse and fine tension adjustment, with locking and limit device | ● |
| Stage | Double-layer mechanical movable stage, size: 210mmX140mm, moving range: 63 * 50mm | ● |
| Epi-illumination system | 6V30W halogen lamp with adjustable brightness, equipped with yellow, blue and green color filters and frosted glass | ● |
| | Built-in field diaphragm, aperture diaphragm, color filter conversion device, push-pull analyzer and polarizer | ● |
| Transmission illumination system | Abbe condenser NA.1.25 can be moved up and down | ● |
| | Built-in field-of-view light bar in collector lens, 6V30W halogen lamp, adjustable brightness | ● |
| Software supporting | FMIA2020 genuine metallographic analysis software | ○ |
| Camera device | Sony chip camera (3 million, 5 million, 6.3 million, 12 million, 16 million, etc.) | |
| | 0.65X, 1X camera receiver | |
| Micrometer | High-precision micrometer (0.01mm grid value) | |

Note: "●" is standard configuration; "○" is optional



19 YEARS

Professional focused on testing equipment

KASON is established in 2003, owns more than 8000 square meters factory, has a professional sales teams, modern enterprise technology center, scientific and technological research and development team.

Machines passed the European CE authentication, American FDA certificate and ISO 9001.

Products sold to USA, Canada, Australia, Europe, Africa etc, more than 130 countries and supply OEM service for many customers



KASON reserves the right to modify the technical and stetics characteristics included in this document, without previous notice

DuandianIndustrial Park ,
Jingshi Road, Jinan City,
Shandong Province, China.

Tel. +86 531 58595086
Fax. +86 531 86113769
Email: info@jnkason.com