

KASON-PSM1 Dial Polariscopes Stress Meter



Note: The picture is for reference only

Product Introduction

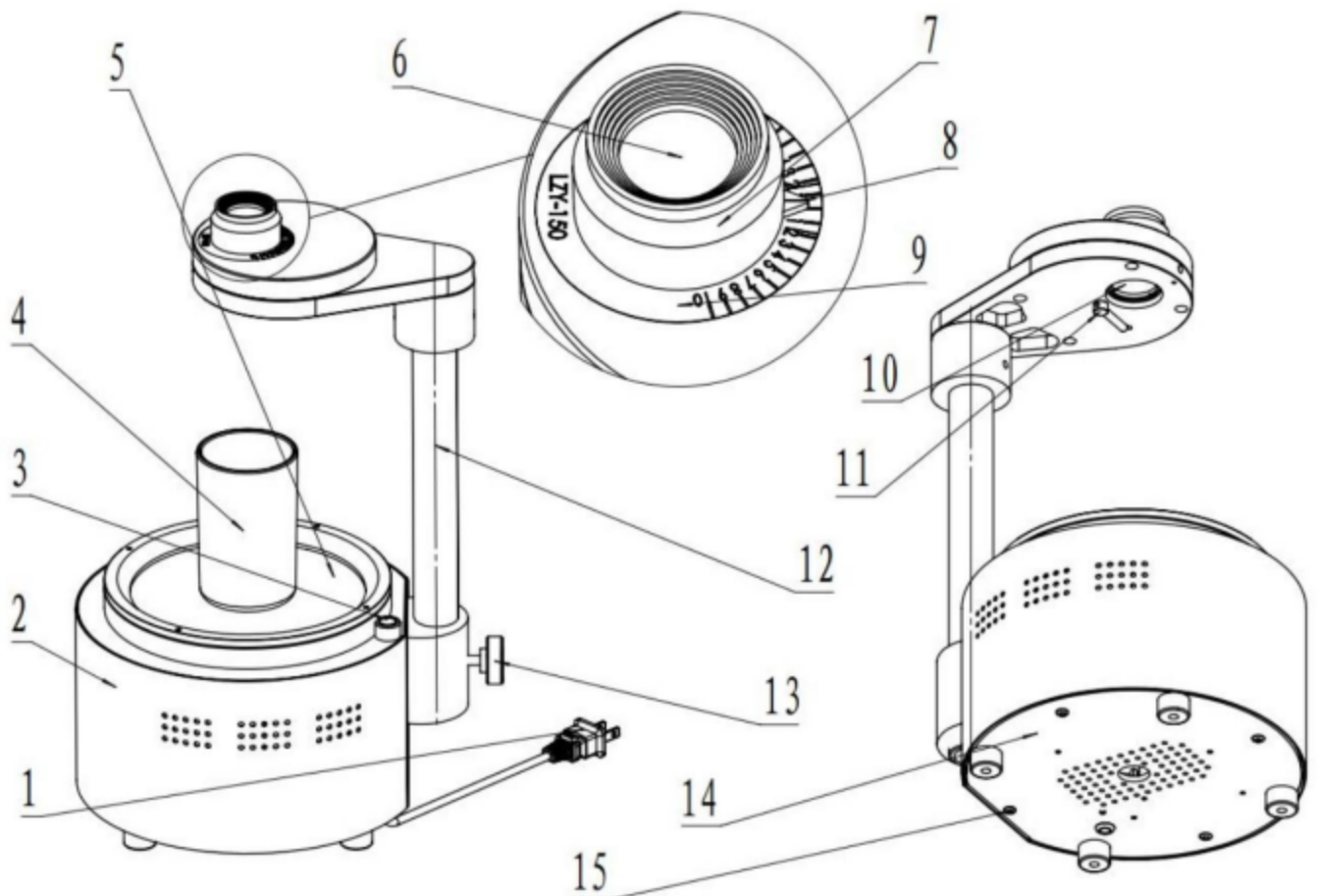
KASON-PSM1 polariscopes stress meter is mainly used in glass bottle factories, optical instrument factories, glass factories and laboratories to measure the stress values of optical glass, glass products, vials, ampoules, liquor bottles, beer bottles and other optical materials.

Product Features

The glass stress tester is an instrument that inspects internal stress in glass or crystal birefringence based on the principle of polarized light interference. Equipped with a sensitive tint plate and adopting the 1/4 wave plate compensation method, the instrument can not only qualitatively or semi-quantitatively measure the internal stress of glass according to the interference color order in the polarization field, but also accurately measure the internal stress value of glass.

Specification

Item	Specification
Model	KASON-PSM1
Power Supply	AC 220 V, 50 Hz
Measuring Accuracy	Grade 1–10 (complies with GB 4545-84)
Polarization Field Diameter	150 mm
Dividing Value of Analyzer Dial	3.65°
Rotation Angle of Analyzer	360°
Maximum Distance Between Polarizer and Analyzer	280 mm
Dimensions (L×W×H)	200 mm × 200 mm × 500 mm
Net Weight	8 kg
Referenced Standards	YBB 00332002, YBB 00162003, etc.



Instrument Structure Diagram

1. Power plug
2. Light box
3. Power switch
4. Transparent test specimen
5. Polarizer
6. Analyzer
7. Analyzer base
8. Dial pointer
9. Dial
10. 1/4 wave plate or full wave plate
11. Wave plate switching knob
12. Column
13. Column locking knob
14. Light source assembly
15. Light source assembly fixing screw

FOCUS IN MATERIAL TEST

KASONTTEST®

JINAN KASON TESTING
EQUIPMENT Co, LTD.

DuandianIndustrial Park , Jingshi Road, Jinan City,China.

P: +86 159 1008 1986

E: admin@jnkason.com | W: www.syjlab.com

