

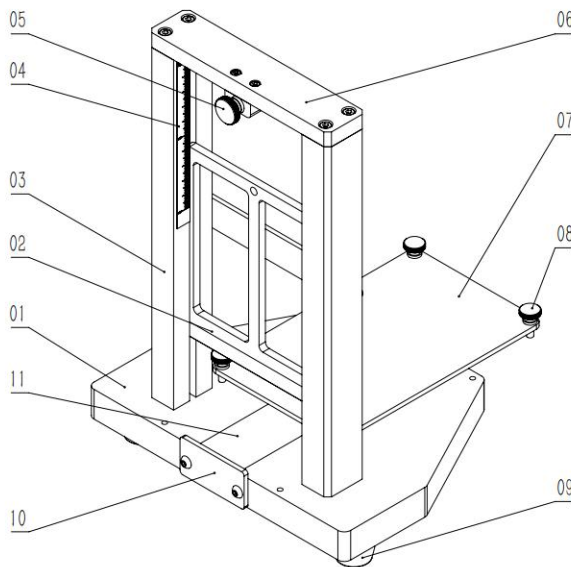
KASON-TT32 Aluminum Hose Toughness Tester



Picture Just for reference

Product Introduction

KASON-TT32 Aluminum Hose Toughness Tester is designed and developed based on the relevant standard requirements for toughness in YBB00162002-2015 "Aluminum Medicinal Ointment Tube". It can complete the toughness test of various aluminum tubes with inner coatings. It can meet the experimental needs of quality inspection, scientific research, and production.



- 01 Base
- 02 Gate
- 03 Guide rail
- 04 Ruler
- 05 Release pin
- 06 Crossbar
- 07 Additional base plate
- 08 Screw
- 09 Foot
- 10 Stop plate
- 11 Positioning slot

Operation Instructions

Lift the gate and insert the release pin.

Place the prepared specimen in the positioning groove of the toughness test device (if the diameter of the aluminum tube body is less than 16mm, place it on the additional plate) so that the tail end of the aluminum tube contacts the stop block.

Pull out the release pin, let the gate fall onto the tube body, and read the scale number on the ruler at the top of the gate, which should meet the requirements of the table.

Toughness test limit table Unit: mm

Outer diameter	Not greater than the following values	Outer diameter	Not greater than the following values
10	8 (with additional board)	30	20
13.5	11 (with additional board)	32	22
16	6	35	25
19	8	38	27
22	10	40	28
25	15	45	35
28	19		

FOCUS IN MATERIAL TEST

KASONTTEST®

JINAN KASON TESTING
EQUIPMENT Co, LTD.

DuandianIndustrial Park , Jingshi Road, Jinan City,China.

P: +86 159 1008 1986

E: admin@jnkason.com | **W:** www.syjlab.com

