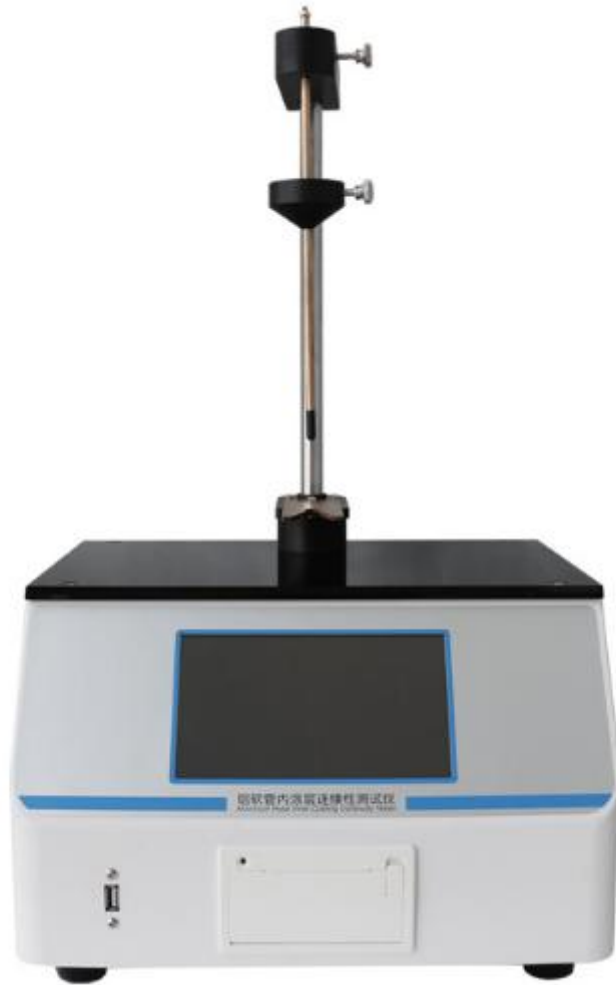


KASON-ICCT45 Aluminum Hose Internal Coating Continuity Tester



Picture Just for reference

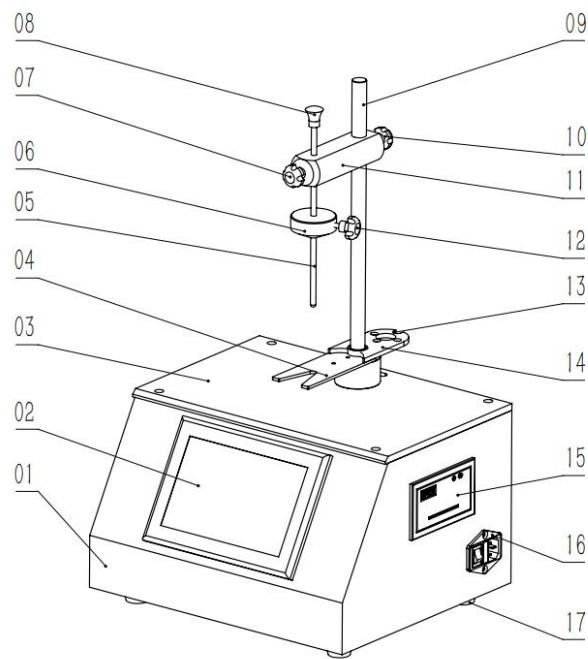
Product Introduction

KASON-ICCT45 aluminum hose inner coating continuity tester is designed and developed according to the relevant standard requirements for inner coating continuity in YBB00162002-2015 "Aluminum Medicinal Ointment Tube". It can complete the coating continuity test of various aluminum tubes with inner coating. It can meet the experimental needs of quality inspection, scientific research, and production.

Technical parameters

Test diameter	$\phi 10 \sim \phi 45 \text{mm}$
Test height	10~250mm
Test voltage	DC 5V (other voltages available)
Resolution	0.1mA
Control display	Microcomputer control, LCD display

System language	Simplified Chinese/English
Dimensions	580(L)×600(B)×1420mm(H)
Net weight	About 35kg
Environmental conditions	Indoor temperature (20±10)°C, relative humidity <85%
Power supply	220V 50Hz



- 01 Electrical box 02 Display screen 03 Table 04 Base electrode 05 Sliding electrode
 06 Positioning seat 07 Fixing knob 08 Test negative electrode 09 Lifting guide rod
 10 Crossbar knob 11 Crossbar 12 Positioning knob 13 Test positive electrode
 14 Insulation sheet 15 Printer 16 Power supply 17 Rubber leg

FOCUS IN MATERIAL TEST

KASONTTEST®

JINAN KASON TESTING
EQUIPMENT Co, LTD.

DuandianIndustrial Park , Jingshi Road, Jinan City,China.

P: +86 159 1008 1986

E: admin@jnkason.com | **W:** www.syjlab.com

