

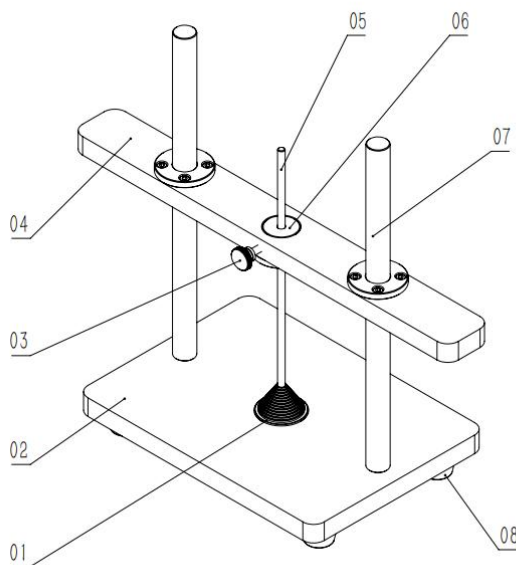
**KASON-CFAT04 Aluminum Hose Coating Flexibility and Adhesion Tester**



Picture Just for reference

**Product Introduction**

KASON-CFAT04 Aluminum hose coating flexibility and adhesion tester is designed and developed according to the relevant standard requirements of YBB00162002-2015 "Aluminum Medicinal Ointment Tube" on coating flexibility and adhesion. It can complete the coating flexibility and adhesion test of various aluminum tubes with inner coatings. It can meet the experimental needs of quality inspection, scientific research, and production.



- |                 |                   |
|-----------------|-------------------|
| 01 Stepped seat | 02 Base plate     |
| 03 Locking pin  | 04 Pressure plate |
| 05 Mandrel      | 06 Guide seat     |
| 07 Guide shaft  | 08 Foot           |

## Operation Instructions

Choose a suitable step seat.

Put the sample on the mandrel, and put the tail of the tube on the first step corresponding to the specification of the aluminum tube. The mandrel extends from the nozzle. The aluminum tube should be vertical to the base during the entire test. Put the top pressure plate on the extended mandrel and let it rest gently on the top of the nozzle. Apply uniform pressure on the pressure plate and quickly squeeze the aluminum tube downward. The aluminum tube should present a uniformly folded "accordion" appearance. Remove the pressed aluminum tube from the mandrel, stretch it as close to the original length as possible, and cut it open longitudinally to observe the surface of the inner and outer coatings. The inner and outer coatings should be free of cracks and shedding.

# FOCUS IN MATERIAL TEST

**KASONTTEST**®

JINAN KASON TESTING  
EQUIPMENT Co, LTD.

DuandianIndustrial Park , Jingshi Road, Jinan City,China.

**P:** +86 159 1008 1986

**E:** admin@jnkason.com | **W:** www.syjlab.com

