

KASON-LX-C SHORE Hardness Tester



19 YEARS

Development Base of Advanced Testing Machine Of China

1. Function:

LX-A hardness tester is widely used in hardness test of medium and low hardness plastics, various rubbers, polyols, leather, wax, etc. The product is produced in accordance with ISO868 and ISO7619 international standards, and complies with GB/T531, JB6148 and JJG304 standards;

LX-C Microporous Material Hardness Tester is used to measure the hardness of microporous rubber and plastic materials made of foaming agent with a stress of 0.5kg/cm² or above when the compression rate is 50%. It can also be used for other materials with similar hardness; (softest)

LX-D hardness tester is suitable for hardness test of general hard rubber, hard resin, acrylic, glass, thermoplastic plastic, printing plate, fiber and other high hardness materials. The product meets the requirements of HG/T2489 and other related standards.

2. Features:

1. Pointer indication, easy to read, accurate and high precision;
2. Handheld design, easy to carry, can be measured by hand or installed on a matching test stand for testing.

3. Specifications:

Dial value: 0 ~ 100HA (A type) 0 ~ 100HW (C type) 0 ~ 100HD (D type);

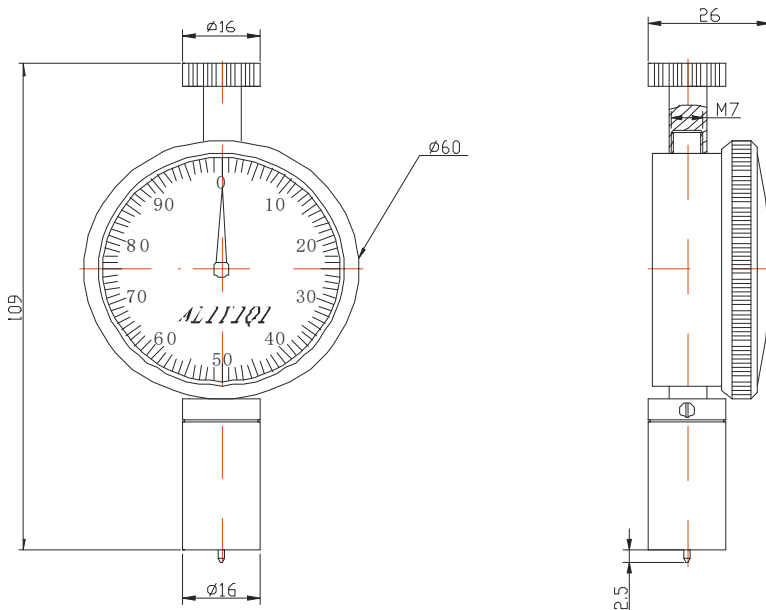
Needle pressing stroke: 2.5 mm;

Recommended measuring range: 20 ~ 90HD;

Indenter head size: Ø 0.79 mm (A type) SR 2.5 mm (C type) SR 0.1 mm (D type);

Weight: ~ 0.5 kg.

4. Structural diagram:



19 YEARS

Professional focused on testing equipment

KASON is established in 2003, owns more than 8000 square meters factory. has a professional sales teams, modern enter prise technology center, scientific and technological research and development team.

Machines passed the European CE authentication, American FDA certificate and and ISO 9001.

Products sold to USA, Canada, Australia, Europe, Africa etc, more than 130 countries and supply OEM service for many customers

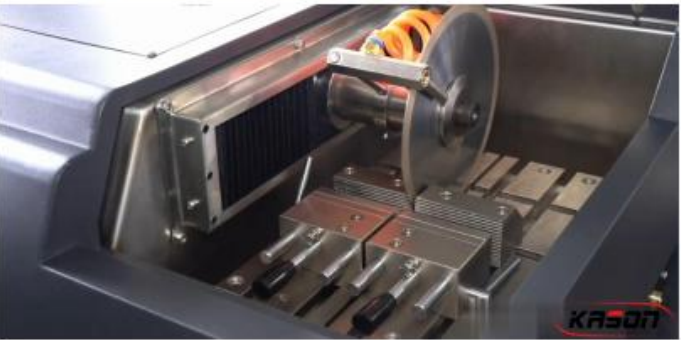
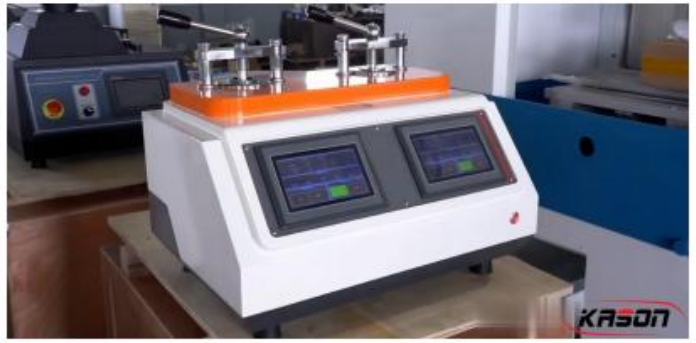
PROFESSIONAL TEAM

KASON has a professional sales teams, modern enter prise technology center, scientific and technological research and development team.





METALLURGICAL PRODUCT SHOW



KASON reserves the right to modify the technical and stetics characteristics included in this document, without previous notice

DuandianIndustrial Park ,
Jingshi Road, Jinan City,
Shandong Province, China.

Tel. +86 531 58595086
Fax. +86 531 86113769
Email: admin@jnkason.com