

HK-3H Series Side-Loading Hydraulic Wedge Grips



Introduce

KASON Series HK-3H Hydraulic Wedge Grips are versatile, easy-to-load grips for a wide range of tensile and fatigue applications. The symmetrical housing design ensures an even specimen loading across the entire face of the wedge. The lateral movement of the wedges won't change the gripping position on the specimen once the grips are activated.

Features

- » These grips clamp onto your specimen in the same position, test after test, to minimize the bending strains that can invalidate your test results
- » Tension and fatigue capability
- » Adjustable pressure allows these grips to be used for testing a variety of materials
- » A wide variety of wedges are available to meet your requirements
- » Side loading capability for easy specimen insertion.

Axial Model HK-3H Grip Specifications

Model	Dynamic Force	Static Force	Pressure	Rod end thread	Temperature	Overall Height	Diameter	Weight
HK-3H-25	25 kN (5.5 kip)	31 kN (7 kip)	21MPa /3000psi	M12*1.25	-40°C/177°C	131 mm (5.2 in)	150 mm (6.0 in)	7kg
HK-3H-100	100 kN (22 kip)	120 kN (27 kip)	21MPa /3000psi	M27*2	-40°C/177°C	188 mm (7.4 in)	203 mm (8.0 in)	30kg
HK-3H-250	250 kN (55 kip)	333 kN (75 kip)	21MPa /3000psi	M36*2	-40°C/177°C	249 mm (9.8 in)	266 mm (10.5 in)	77kg
HK-3H-500	500 kN (110 kip)	550 kN (120 kip)	21MPa /3000psi	M52*2	-18°C to 65°C	291 mm (11.5 in)	330 mm (13.0 in)	148kg
HK-3H-1000	1000 kN (220 kip)	1200 kN (264 kip)	21MPa /3000psi	M76*2	-18°C to 65°C	414 mm (16.2 in)	444 mm (17.5 in)	386kg
HK-3H-2000	2000 kN	2590 kN (565 kip)	69MPa/1 0000psi	N/A	-18°C to 65°C	790 mm (32.3 in)	666 mm (29.0 in)	1466kg
HK-3H-2500	2500 kN (550 kip)	2750 kN (610 kip)	69MPa/1 0000psi	N/A	-18°C to 65°C	819 mm (32.3 in)	737 mm (29.0 in)	1153 kg

*Temperatures above 77°C/150°F require a stand-alone grip supply and extension

Axial-Torsional Model HK-3H Grip Specifications

Model	Dynamic Force	Static Force	Pressure	Mounting	Temperature	Overall Height	Diameter	Weight
HK-3H-25-2 2	25 kN (5.5 kip)	220 N.m (2000 in.lb)	21MPa	40 mm dia.	-40°C/150°C	135 mm (5.3 in)	150 mm (6.0 in)	8kg
HK-3H-100- 05	50 kN (22 kip)	550 N.m (5000 in.lb)	21MPa	M68*2	-40°C/121°C	188 mm (7.4 in)	203 mm (8.0 in)	27kg
HK-3H-100- 11	100 kN (22 kip)	1,100 N.m (10,000 in.lb)	21 MPa	M68*2	-40°C/121°C	224 mm (8.8 in)	203 mm (10.5 in)	34kg
HK-3H-250- 22	250 kN (55 kip)	2,200 N.m (20,000 in.lb)	69 MPa	M92*2	-18°C to 65°C	343 mm (13.5 in)	266 mm (10.5 in)	95kg

*Temperatures above 77°C/150°F require a stand-alone grip supply and extension

Model HK-3H Grip Specimen Wedges

Model	Specimen Diameter (Vee Wedge Specimen Specifications)	Specimen Diameter (Flat Wedge Specimen Specifications)
HK-3H-25	3.0-9.4mm, 8.9-15.2mm	0.00-7.2mm, 7.1-14.4mm
HK-3H-100	5.8-11.9mm, 10.9-16.5mm, 17-22.9mm	0.00-7.6mm, 7.1-14.2mm, 11.7-19.1mm
HK-3H-250	6.4-13.5mm, 10.7-19.9mm, 16.8-26.2mm	1.0 to 11.9mm, 6.10-17.0mm, 15.0-25.9mm
HK-3H-500	6.4-15.5mm, 15.2-24.4mm, 24.1-33.5mm, 33.0-42.4mm, 41.9-51.3mm	0.00-10.9mm, 10.1-21mm, 20.3-31.2mm, 30.4-41.4mm, 40.6-51.6mm
HK-3H-1000	6.0-10.0mm, 9.9-25.1mm, 25.1-44.4mm, 44.4-63.0mm	0.00-23.0mm, 23.0-45.0mm, 45.0-67.0mm
HK-3H-2000		0.0-27.5mm, 24.5-52.0mm, 49.5-77mm, 74.5-102.0mm
HK-3H-2500		0.0-27.5mm, 24.5-52.0mm, 49.5-77mm, 74.5-102.0mm

The wedge set assembly consists of a matched set of four wedges.

SPIRAL WASHERS

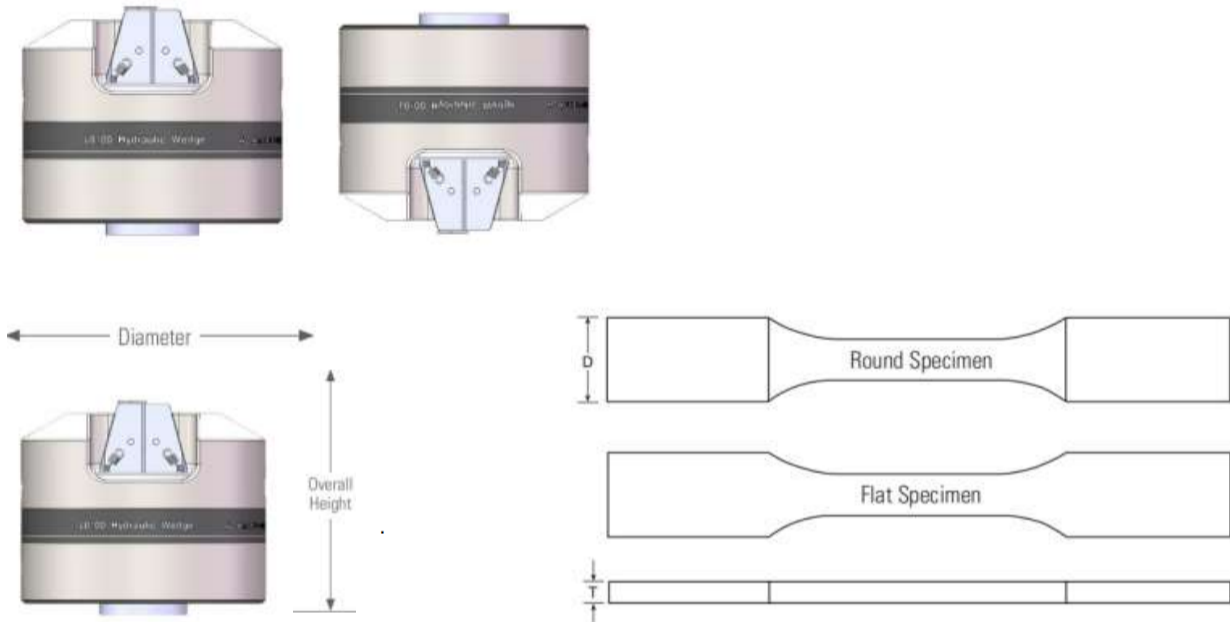
Use anywhere you need a backlash free connection to your load frame.

WEDGE VARIETY

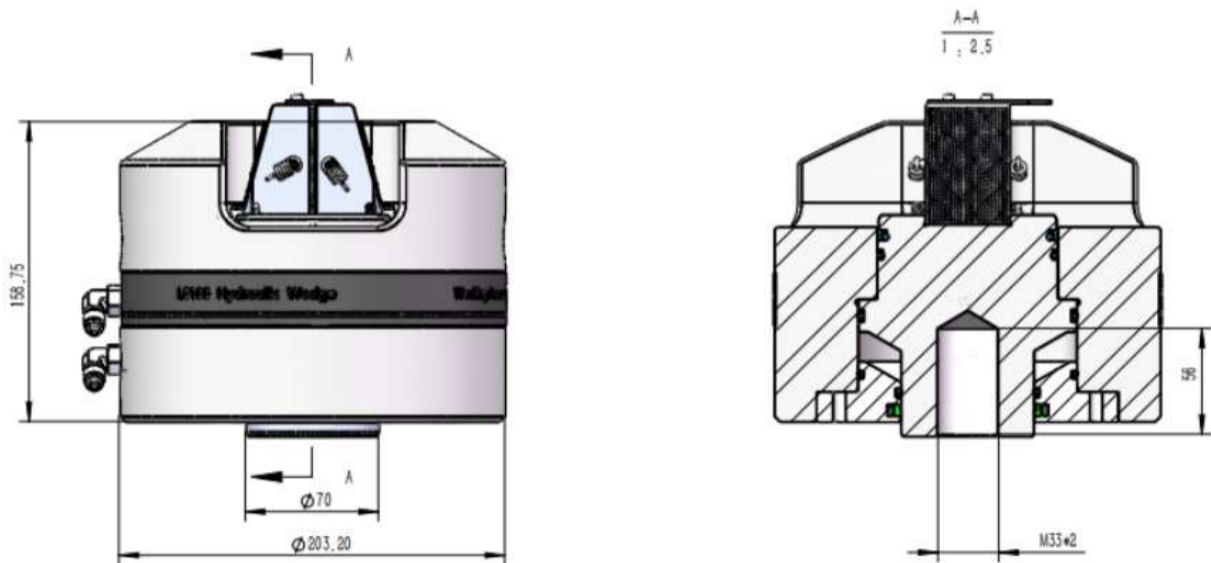
Flat, round or vee-shaped wedges with surfaces available for brittle or soft specimens. Water cooled wedges also available in certain sizes

MATERIAL

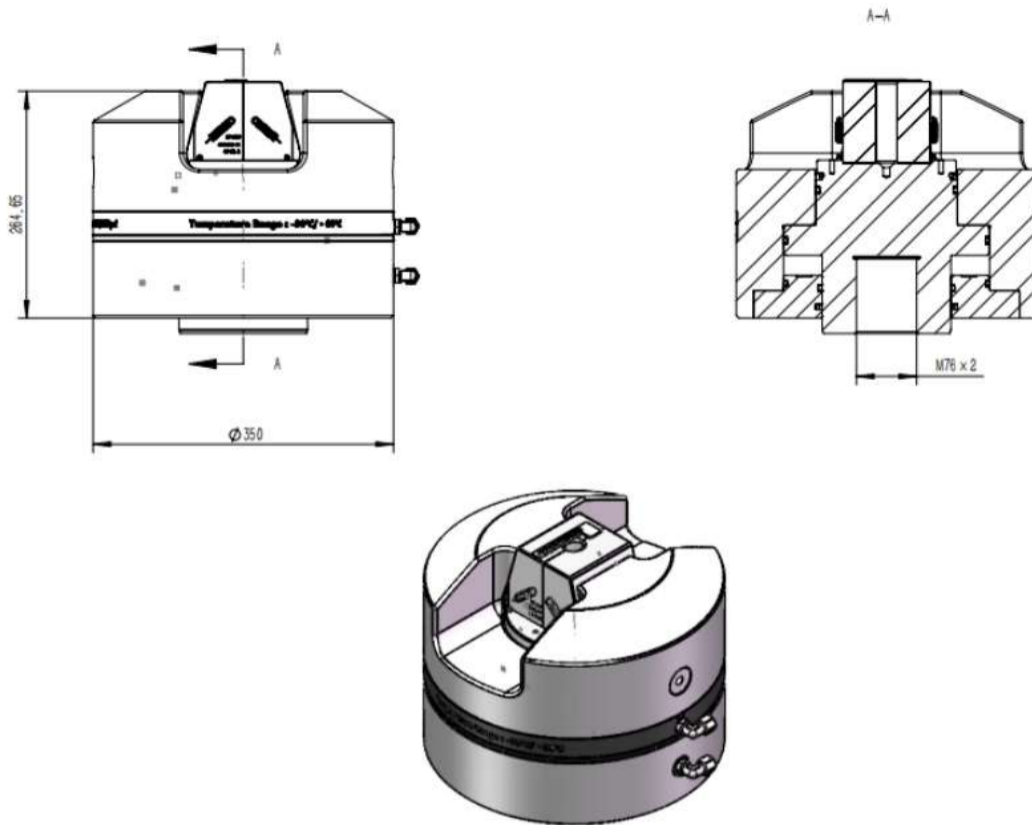
Main body use NK80 alloy steel imported from Japan The clamp is made of 20CrMnTi material



Axial Model HK-3H-100 Grip Schematic(mm)



Axial Model HK-3H-500 Grip Schematic(mm)





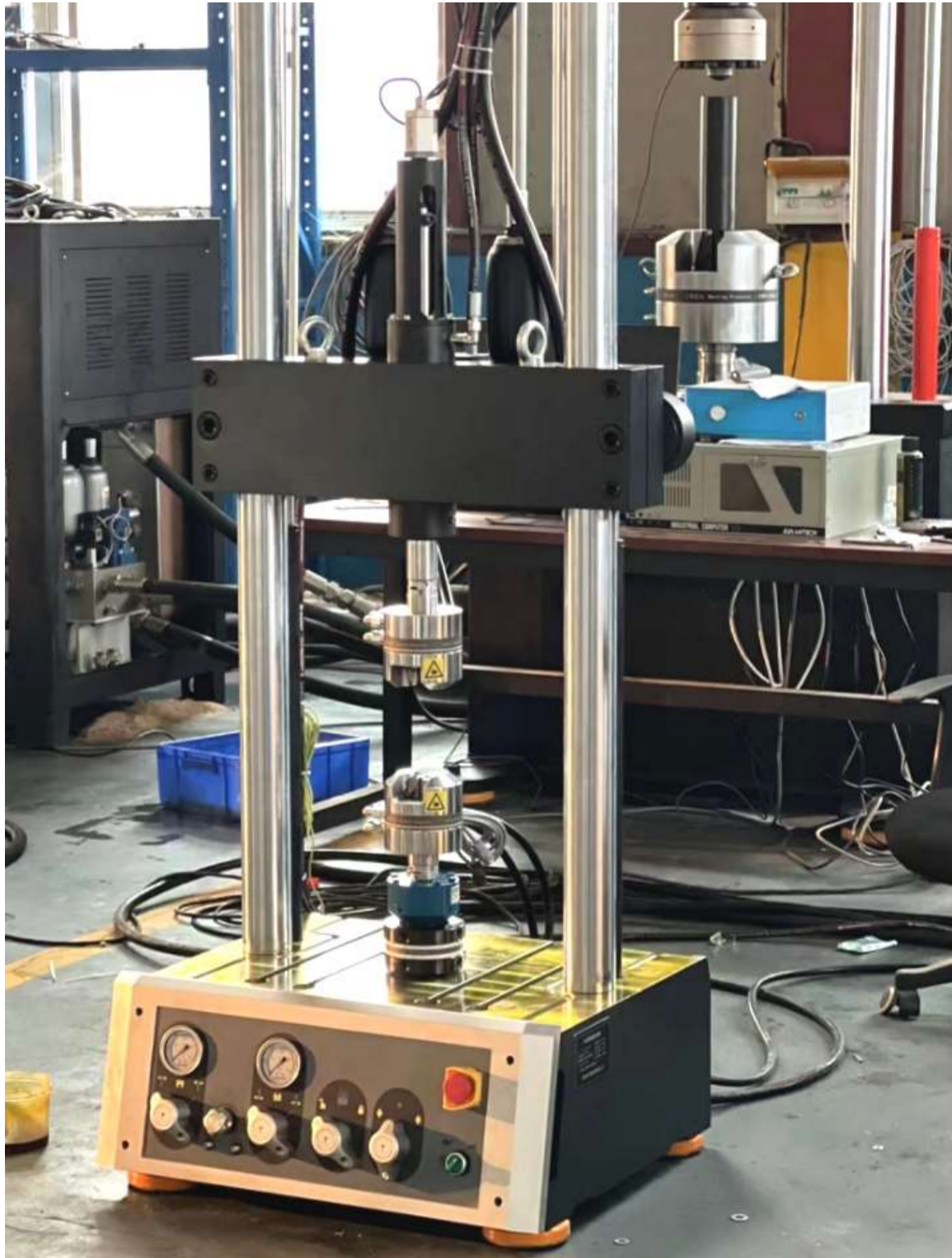
















FOCUS IN MATERIAL TEST

KASONTTEST®

JINAN KASON TESTING
EQUIPMENT Co, LTD.

DuandianIndustrial Park , Jingshi Road, Jinan City,China.

P: +86 159 1008 1986

E: admin@jnkason.com | **W:** www.sjylab.com

