

## Spoke Load Cell



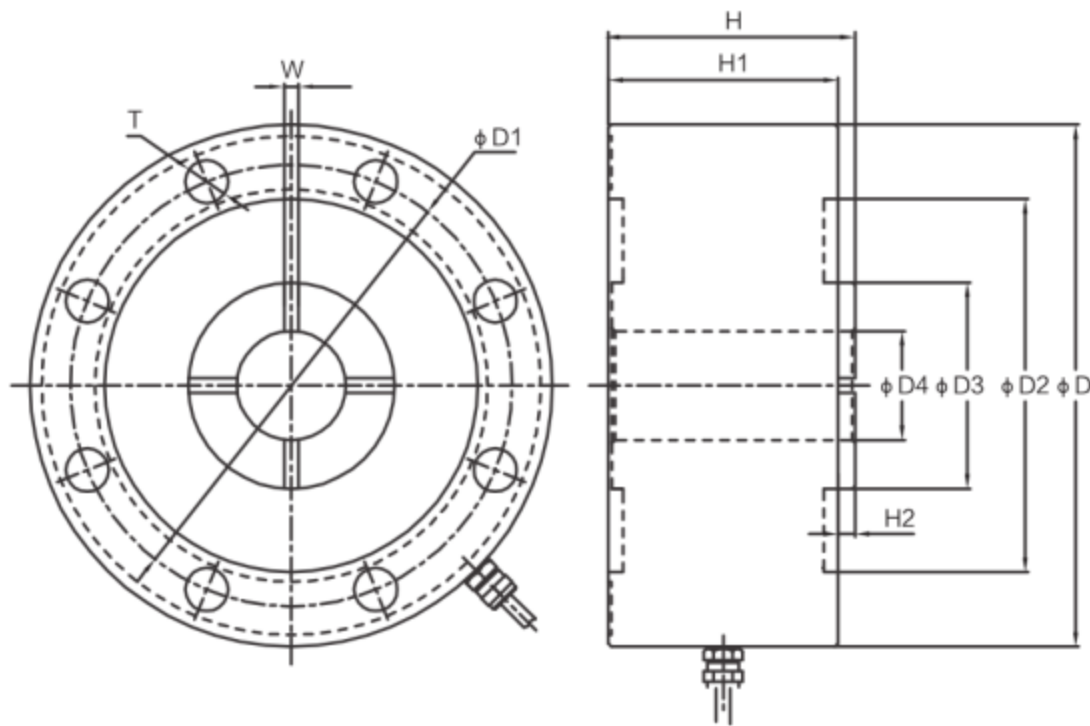
(Picture just for reference)

### **CH-1B spoke weighing sensor**

Product feature : The CH-1B spoke weighing sensor is made of high-quality stainless steel, featuring high precision, high stability, low profile, easy installation and fast speed.Suitable for testing machine.

**Range: 500kg, 1t, 2t, 5t, 10t**

### Dimensions :



Range (kN)		D	D1	D2	D3	D4	H	H1	H2	W	T
5-100	mm	118	100	82	36	24	50	43	6.5	4x5.1	8xφ9

### Specification :

Specifications			
Rated Output	2.0mV/V±0.002	Input impedance	385±10Ω
Non-linearity	±0.05%F.S	Output impedance	351±3Ω
Hysteresis	<±0.05%F.S	Insulation resistance	≥5000MΩ
Repeatability	<±0.05%F.S	Allow excitation voltage	5~15V/DC
Creep	<±0.05%F.S/30min	Compensated temp. range	-10℃~+40℃
Temp. effect on zero	<±0.03%/10℃	Operating temp. range	-30℃~+70℃
Temp. effect on output	<±0.03%/10℃	Safe overload	150%F.S

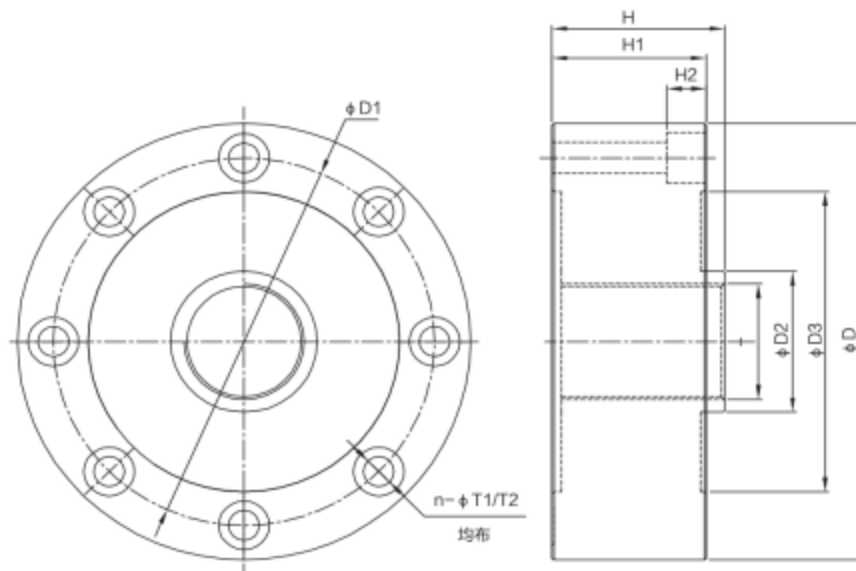
Zero balance	$< \pm 1\%F.S$	Ultimate overload	300%F.S
Connection	Excitation : + Red - Black Shield : Thick Yellow Signal : + Green - White		

### Model: CH-LF1

Product features: The CH-LF1 wheel-spoke weighing sensor is made of high-quality stainless steel, featuring high precision, high stability, low profile, easy installation and fast speed. It is suitable for testing machine and can be used in both directions of tension and compression.

**Range :** 500kg , 1t , 2t , 3t , 5t , 10t , 20t , 30t

#### Dimensions :



Range ( kN )		D	D1	D2	75	H	H1	T	T1	T2	n	H2
5-50	mm	105	89	32	75	37	34	M16x1.5	7.5	10.5	8	7.2
100-250	mm	120.6	101.8	39	83	48	41	M32x1.5	8.5	14	8	10.5
300	mm	141	116.8	50.4	97	57	50.8	M40x1.5	11	18	8	11

**Specification :**

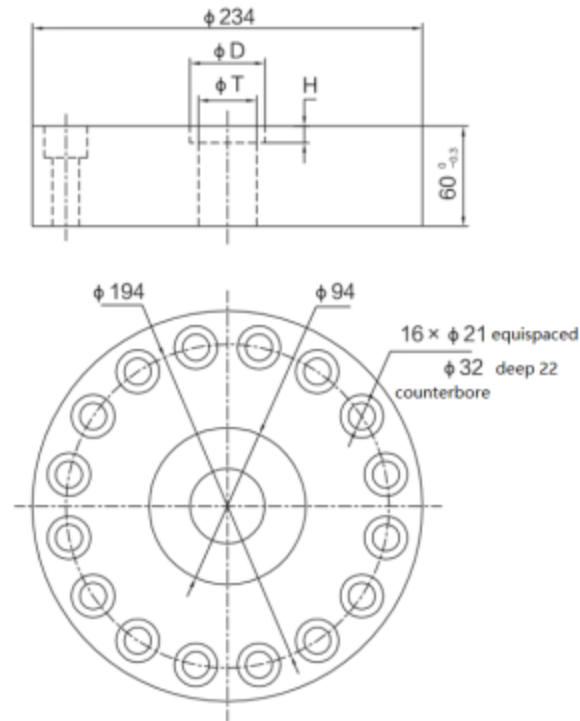
Specifications			
Rated Output	3.0mV/V $\pm$ 0.003	Input impedance	385 $\pm$ 10 $\Omega$
Non-linearity	$\pm$ 0.05%F.S	Output impedance	351 $\pm$ 3 $\Omega$
Hysteresis	< $\pm$ 0.05%F.S	Insulation resistance	$\geq$ 5000M $\Omega$
Repeatability	< $\pm$ 0.05%F.S	Allow excitation voltage	5 ~ 15V/DC
Creep	< $\pm$ 0.05%F.S/30min	Compensated temp. range	-10 $^{\circ}$ C ~ +40 $^{\circ}$ C
Temp. effect on zero	< $\pm$ 0.03%/10 $^{\circ}$ C	Operating temp. range	-30 $^{\circ}$ C ~ +70 $^{\circ}$ C
Temp. effect on output	< $\pm$ 0.03%/10 $^{\circ}$ C	Safe overload	150%F.S
Zero balance	< $\pm$ 1%F.S	Ultimate overload	300%F.S
Connection	Excitation : + Red - Black Shield : Thick Yellow Signal : + Green - White		

**Model: CH-MHX****Product feature:**

Product feature : The CH-MH spoke weighing sensor is made of high-quality stainless steel, featuring high precision, high stability, low profile, easy installation and fast speed. Suitable for testing machine.

**Range: 600kN (60t) , 1000kN (100t)**

**Dimensions:**



Model	Range (kN)	Range (t)	D	T	H
CH-M	600,1000	60,100	--	M64x3	--
CH-MH	600,1000	60,100	--	$\phi 35$	--
CH-MHXS	600,1000	60,100	45	$\phi 35$	10

### Specification:

Rated Output	3.0mV/V $\pm$ 0.003	Input impedance	750 $\pm$ 10 $\Omega$
Non-linearity	$\pm$ 0.05%F.S	Output impedance	701 $\pm$ 3 $\Omega$
Hysteresis	$<$ $\pm$ 0.05%F.S	Insulation resistance	$\geq$ 5000M $\Omega$
Repeatability	$<$ $\pm$ 0.05%F.S	Allow excitation voltage	5~15V/DC
Creep	$<$ $\pm$ 0.05%F.S/30min	Compensated temp. range	-10 $^{\circ}$ C~+40 $^{\circ}$ C

Temp. effect on zero	$< \pm 0.03\%/10^\circ\text{C}$	Operating temp. range	$-30^\circ\text{C} \sim +70^\circ\text{C}$
Temp. effect on output	$< \pm 0.03\%/10^\circ\text{C}$	Safe overload	150%F.S
Zero balance	$< \pm 1\%F.S$	Ultimate overload	300%F.S
Connection	Excitation: + Red, - Black ;Shield: Thick Yellow ;Signal: + Green, - White		

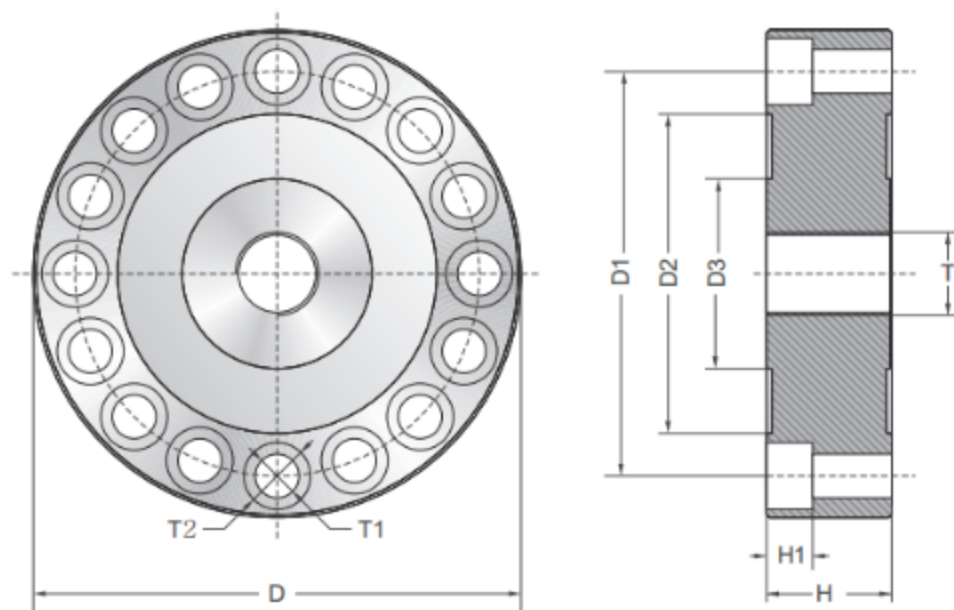
### Model: CH-TJ

#### Product features:

CH-TJ wheel spoke load cell is made of high-quality stainless steel, with high precision, high stability, low profile, etc., easy and fast to install, suitable for testing machines, etc.

**Range: 10kN(1t), 20kN(2t), 500kN(50t), 1200kN(120t)**

#### Dimension:



**500kN(50t)、1200kN(120t)**

Range (kN)	Range (t)		D	D1	D2	D3	H	H1	T	T1	T2
500	50	mm	Φ234	Φ194	Φ153	Φ91	60	22	M40x1.5	16xφ21	16xφ32

1200	120	mm	Φ234	Φ194	Φ153	Φ91	70	22	M40x1.5	16xφ21	16xφ32
------	-----	----	------	------	------	-----	----	----	---------	--------	--------

**Specification:**

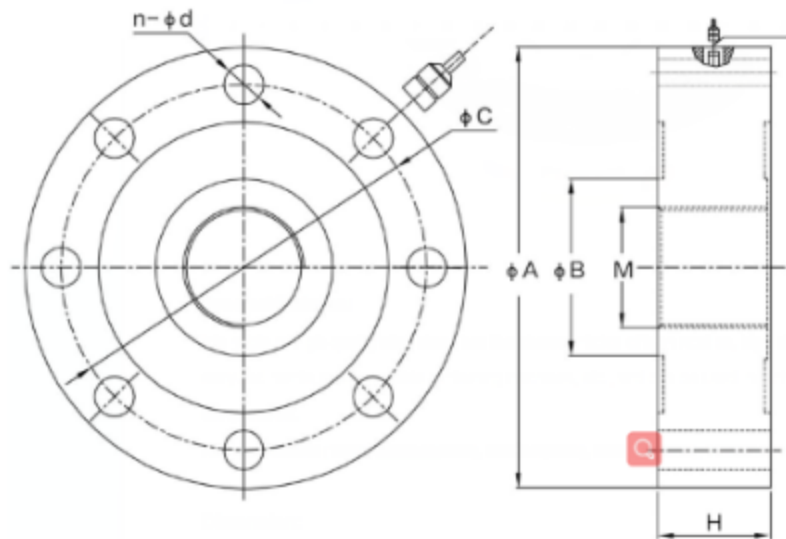
Rated Output	2.0mV/V ± 1%	Input impedance	387±20Ω (1t, 2t) / 775±20Ω (50t, 120t)
Linearity, Hysteresis	±0.05%F.S	Output impedance	350±5Ω (1t, 2t) / 700±5Ω (50t, 120t)
Creep	<±0.05%F.S/30min	Insulation resistance	≥5000MΩ
Repeatability	<±0.05%F.S	Allow excitation voltage	5~15V/DC
Temp. effect on zero	<±0.03%/10℃	Operating temp. range	-30℃~+70℃
Temp. effect on output	<±0.03%/10℃	Safe overload	150%F.S
Zero balance	<±1%F.S	Combined accuracy	0.05%F.S
Connection	Excitation: + Red, - Black; Signal: + Green, - White		

**Model: CH-LFD****Product features:**

It is made of high-quality alloy steel, has the characteristics of high rotation, high stability, low profile, etc., is easy and fast to install, suitable for testing machines, etc., and can be used in both tension and compression.

**Range: 1000kN (100t), 2000kN(200t), 3000kN(300t), 5000KN(500t), 10000kN(1000t)**

**Dimension:**



Range ( kN )	Range ( t )	A	B	C	H	M	d	n
1000	100	320	162	270	100	M96*4	φ26	16
2000,3000	200,300	360	200	310	126	M120*4	φ32.5	16
5000,10000	500,100	500	310	420	160	M200*4	Φ27	28

### Specification:

Rated Output	2.0mV/V ± 0.2%	Input impedance	387±20Ω
Linearity, Hysteresis	±0.05%F.S	Output impedance	350±5Ω
Repeatability	±0.05%F.S	Insulation resistance	≥5000MΩ
Creep	±0.05%F.S/30min	Allow excitation voltage	5~15V/DC
Temp. effect on zero	±0.03%/10℃	Operating temp. range	-30℃~+70℃
Temp. effect on output	±0.03%/10℃	Safe overload	150%F.S

Zero balance	$\pm 1\%F.S$	Comprehensive accuracy	0.05%F.S-0.1%F.S
Connection	Excitation : + Red, – Black; Signal : + Green, - White		



## Authentication Certificate of Quality Management System

Registration No.19922Q01072R0S

This is to certify that

**Jinan Kason Testing Equipment Co., Ltd.**

Unified Social Credit Code: 9137010458994939X0

Registered/Production Address: No. 4715, Jingshi West Road,  
Huaiyin District, Jinan City, Shandong Province

Office Address: Room 2-1108, Harmony Square, Huaiyin District, Jinan City

Is in conformity with :

**GB/T 19001-2016/ISO 9001:2015**

The certificate is valid for the following scope :

Assembly and sales of testing machines

This certificate should be used effectively with the legal requirements of the administrative license, qualification license, compulsory certification, which the certification scope involved.

In the case that the organization regularly receives surveillance assessments, the certificate shall be valid when used together with the Quick Response Code.

Date of Issue: 2022-07-19

Date of Expiry: 2025-07-18

Date of Initial Certification: 2022-07-19

General Manager



中国认可  
国际互认  
管理体系  
MANAGEMENT SYSTEM  
CNAS C182-M

China Standard Huaxin (Beijing)  
Certification Center Co.,Ltd.



Address of Certification Authority: 5 Floor, YuQuan Building, No.3 Shijingshan Road, Shijingshan District, Beijing Tel: 010-88255986 P.C.: 100049

Note: The detailed information is available on the Certification and Accreditation Administration of the People's Republic of China official website (www.cnca.gov.cn) the authority's website(www.cshcc.cn) and the Quick Response Code on the left.



## MACHINERY DIRECTIVE ATTESTATION OF CONFORMITY

Technical file of the company mentioned below has been inspected and audit has been completed successfully.

2006/42/EC Machinery Directive Annex VIII has been taken as references for these processes.

Company Name : **Jinan Kason Testing Equipment Co., Ltd.**  
 Company Address : No.4715, Jingshi West Road, Huaiyin District, Jinan, Shandong, China  
 Related Directives and Annex : **2006/42/EC Machinery Directive/Annex VIII**  
 Related Standards : **EN ISO 12100:2010; EN 60204-1:2018**  
 Product Name : **Testing Machine**  
 Report No and Date : TCF-JKTE230605-MD  
 Product Brand/Model/Type : WDS-1, WDS-2, WDS-3, WDS-5, WDS-10, WDS-20, WDS-30, WDS-50, WDS-100, WDS-200, WDS-300, WDW-1E, WDW-2E, WDW-3E, WDW-5E, WDW-10E, WDW-20E, WDW-30E, WDW-50E, WDW-100E, WDW-200E, WDW-300E, WDW-500E, WDW-600E, WDW-1000E, ETM103, ETM203, ETM303, ETM503, ETM104, ETM204, ETM304, ETM504, ETM105, WE-300D, WE-600D, WE-1000D, WE-2000D, HUT305S, HUT605S, HUT105S, HUT126S, WEW-300D, WEW-600D, WEW-1000D, WEW-1200D, WEW-2000D, WEW-3000D, HUT305E, HUT605E, HUT105E, HUT126E, HUT-A306E, HUT-A206E, WAW-300D, WAW-600D, WAW-1000D, WAW-1200E, WAW-2000E, WAW-3000, WAW-2000A, WAW-3000A, WAW-4000A, HUT-A206W, HUT-A306W, HUT-A406W, HUT305W, HUT605W, HUT105W, HUT126W, WAL-LAW, HUT-L, JB-300, JB-300B, JB-500B, JBS-300, JBS-500, JBW-300, JBW-500, JBDW-300, JBDW-500, CST-50, VU-2Y, VU-1S, DWC-40, DWC-60, DWC-80, DWC-100, DWC-196, YES-1000, YES-2000, YES-3000, YAW-1000, YAW-300, YAW-2000, YAW-3000, YAW-5000, NDS-200, NDS-500, NDS-1000, NDS-2000, NDW-200, NDW-500, NDW-1000, NDW-2000, NDW-3000, NDW-5000, NDW-10000, EZ-1, EZ-3, EZ-10, JWJ-10, TIS, TLW, HWS, PLS-20, PLS-50, PLS-100, PLS-300, PLS-500, PLS-1000, KASON-1, RDJ-10, RDJ-20, RDJ-50, RDJ-100, DWTT-20000, DWTT-30000, DWTT-40000, DWTT-50000, DWTT-80000, DWTT-100000, PIF-302, PIF-302M, PIF-502, PIF-502M, PIF-302T, PIF-502T, PIF-302W, PIF-302TW, PIF-502W, PIF-502TW, PIF302CW, PIF452CW, PIF602CW, PIF752CW, PIF302CT, PIF452CT, PIF602CT, PIF752CT, PIFD302W, PIFD502W, PIFD302T, PIFD502T, PIFD302CW, PIFD452CW, PIFD452CT, PIFD752CW, PIFD752CT, PIFD302G, HCT106, HCT206, HCT306, KSC2M, HYJ, HEZ-3, HEZ-5, HEZ-10, HEZ-20, KSBT-10, KASON 370.02, KASON 370.05, KASON 370.10, KASON 370.25, KASON 370.50, MMW, GBW-60B, GBS-60B, HUT, ETM, XNR, GW-40, GW-50, MRS, MMU, MRH, GBW, GW, LSW, HBT, GLY, GCJ-1000, GWQ-1000, GZQ-1000, GQR-1000, GJR-300, GSS-1000, GMS-100, GTW-500, GQC-5, GGG-100, HR-150A, HRD-150, HRS-150, XHR, HB, HVS, HV, HBRV, W-20, HBA-1, LHT, Q-2A, MP-2, XQ-2B, XD-30M, 4XCE, 4XB, JSZ, MOPAO, MPT, P, MP, BG, LBG-32, MPJ-35, Q-Z, Q-100B, SQ, Q-3A, QG-4, LSQ, LDQ, GTQ-5000A, GTQ-5000B, DTQ, ZXQ, 4XC, HST, KASON, KS, KSCUT, HTR, HTPR, HTB, HSTR-45S, HTV, HTMV, HTBRV, METRPRESS, MPJ

Certificate Number : **M.2023.206.C86313**  
 Initial Assessment Date : 07.06.2023  
 Registration Date : 08.06.2023  
 Reissue Date/No : -  
 Expiry Date : **07.06.2028**

  
 UDEM International Certification  
 Auditing Training Centre Industry  
 and Trade Inc. Co.

The validity of the certificate can be checked through [www.udem.com.tr](http://www.udem.com.tr). Upon completion of EC declaration of conformity it is used solely at the manufacturer's responsibility. This certificate remains the property of UDEM International Certification Auditing Training Centre Industry and Trade Inc. Co. to whom it must be returned upon request. The above named firm must keep a copy of this certificate for 15 years from the registration of certificate. This certificate only covers the product(s) stated above and UDEM must be noticed in case of any changes on the product(s)  
**Address:** Muthukent Mahallesi 2073 Sokak (Eski 93 Sokak) No:10 Çankaya - Ankara - TURKEY  
**Phone:** +90 0312 443 03 90 **Fax:** +90 0312 443 03 76  
**E-mail:** [info@udem.com.tr](mailto:info@udem.com.tr) [www.udem.com.tr](http://www.udem.com.tr)



# FOCUS IN MATERIAL TEST

**KASONTTEST**®

JINAN KASON TESTING  
EQUIPMENT Co., LTD.

Duandian Industrial Park , Jingshi Road, Jinan City, China.

P: +86 159 10081986

E: admin@jnkason.com | W: www.syjlab.com

