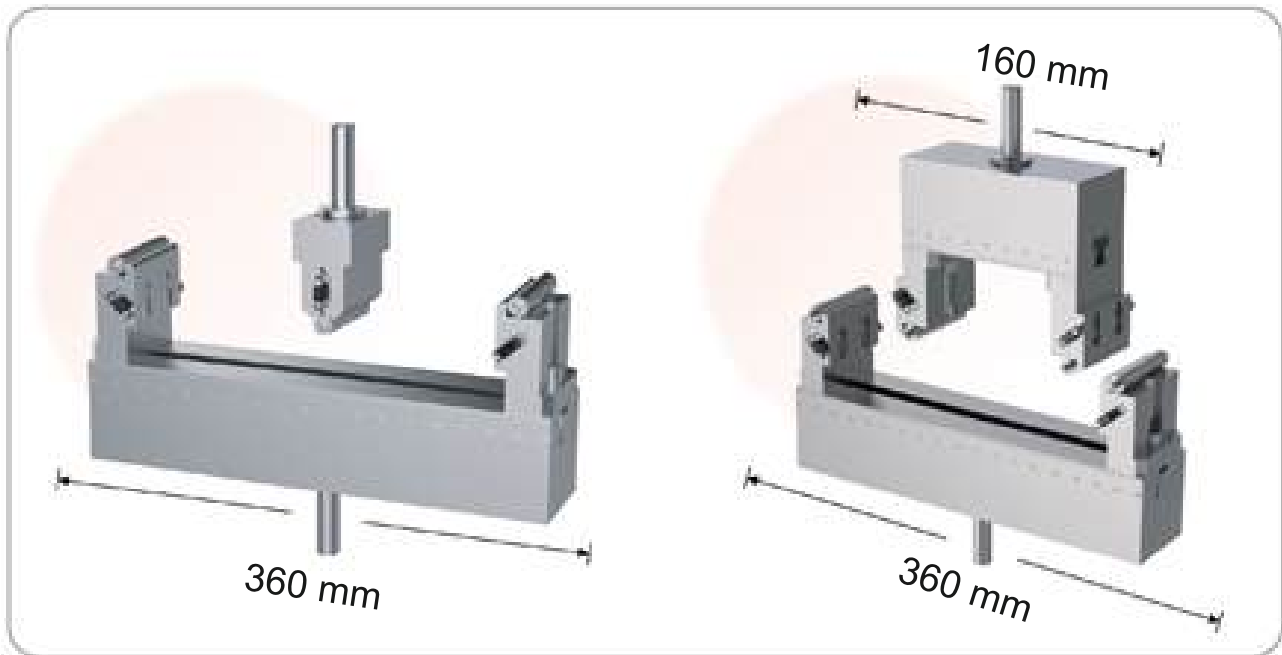


## KASON 5642 THREE / FOUR BEND FIXTURES

Suitable for almost any testing requirement, these highly durable fixtures are ideal for testing plastics, composites and many other materials. Rigid support rollers reduce unnecessary loads and friction on the sample, ensuring accurate test results. All models are available for 3-point and 4-point testing.



### TECHNICAL SPECIFICATIONS

MODEL	KASON 5642.10	KASON 5642.25
Span (mm)	38-305	80-610
Stick diameter (mm)	Φ5, φ10, φ15, φ20, φ25	φ20, φ30, φ40, φ50